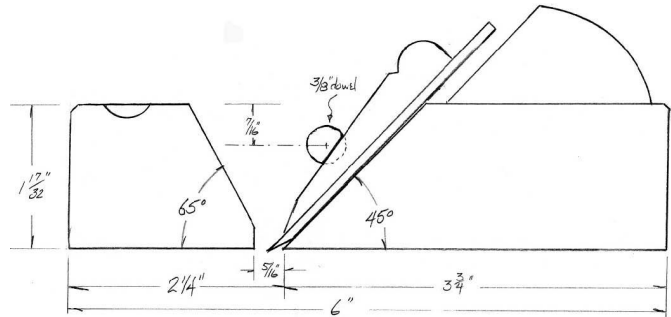


PLANE MAKING

January 19, 2019

and

February 2, 2019



Ever wonder what it takes to make a woodworking tool? It is, quite simply, just a wood body with angled throat and a carbon steel blade. The skills to shape and temper each of these are part of Plane Making at the Home Shop.

A century or more ago, apprentices were required to make the tools of their trade before becoming a journeyman. You, too, can do it, because these tools are more than just historic: they become part of your tool kit.

The January 19th class participants make either a Block Plane or Shoulder Plane. Gil Chesbro teams up with John February 2nd to help you make a Travisher or Spokeshave. These are for use in chairmaking and other specialized wood working tasks. You can review all these projects – Block Plane, Shoulder and Moulding Planes, Travisher and Spokeshave – in “Making Wood Tools with John Wilson” 2nd Edition, which won the Gold Seal from the Non-fiction Book Awards!

Join us and make your own. Call us at 517-543-5325

